



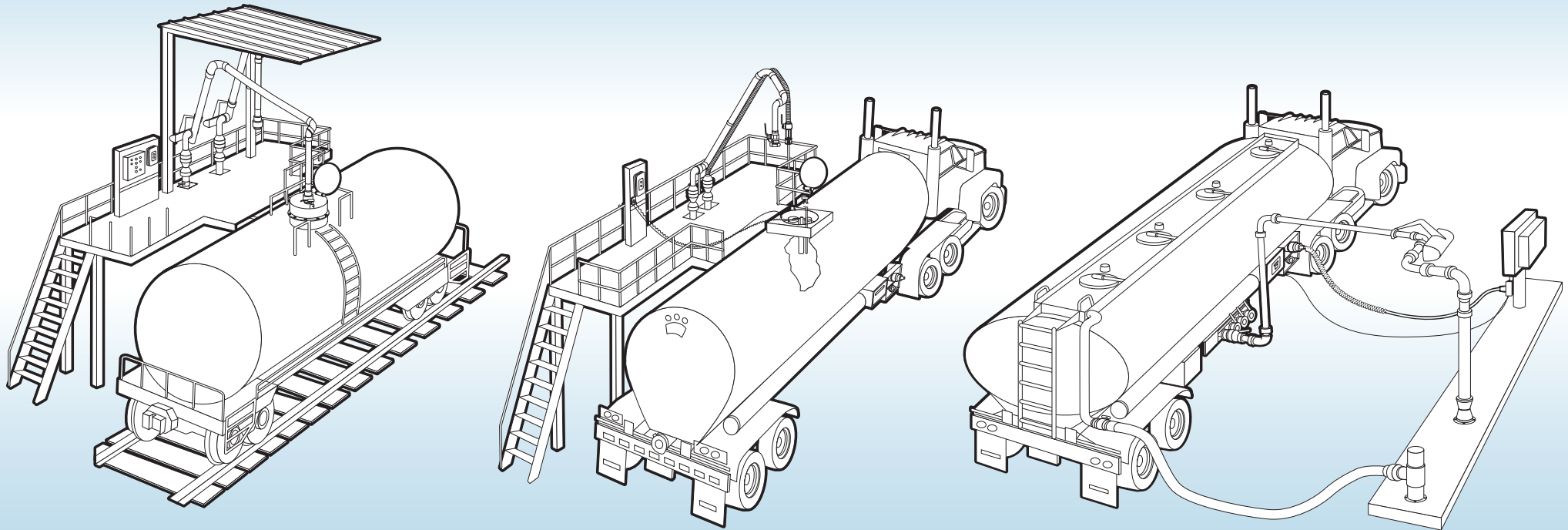
Engineered Systems

PART OF OPW FLUID TRANSFER GROUP

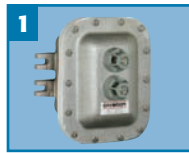
A DOVER COMPANY

OVERFILL PROTECTION

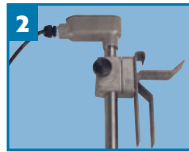
TOP OR BOTTOM-LOADING RAILCAR AND TANK-TRUCK PARTS AND ACCESSORIES



PHONE: (800) 547-9393 • (513) 932-9114 • FAX: (800) 245-8536 • (513) 932-9845
2726 Henkle Drive • Lebanon, OH 45036 • www.opw-es.com



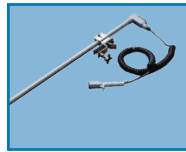
8130-120



1300HS-3062



1300KMLS-3062



1400RHS-3060



1400RKMLS-3060



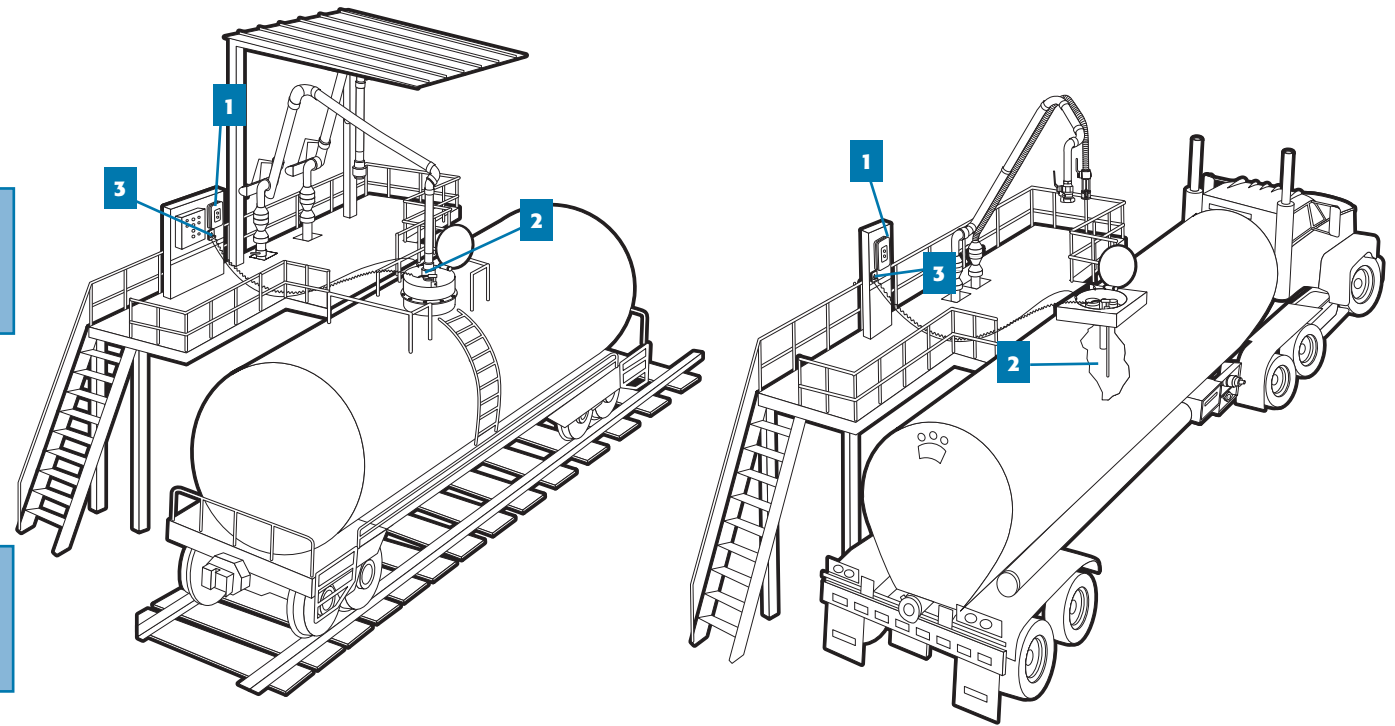
7500-7500



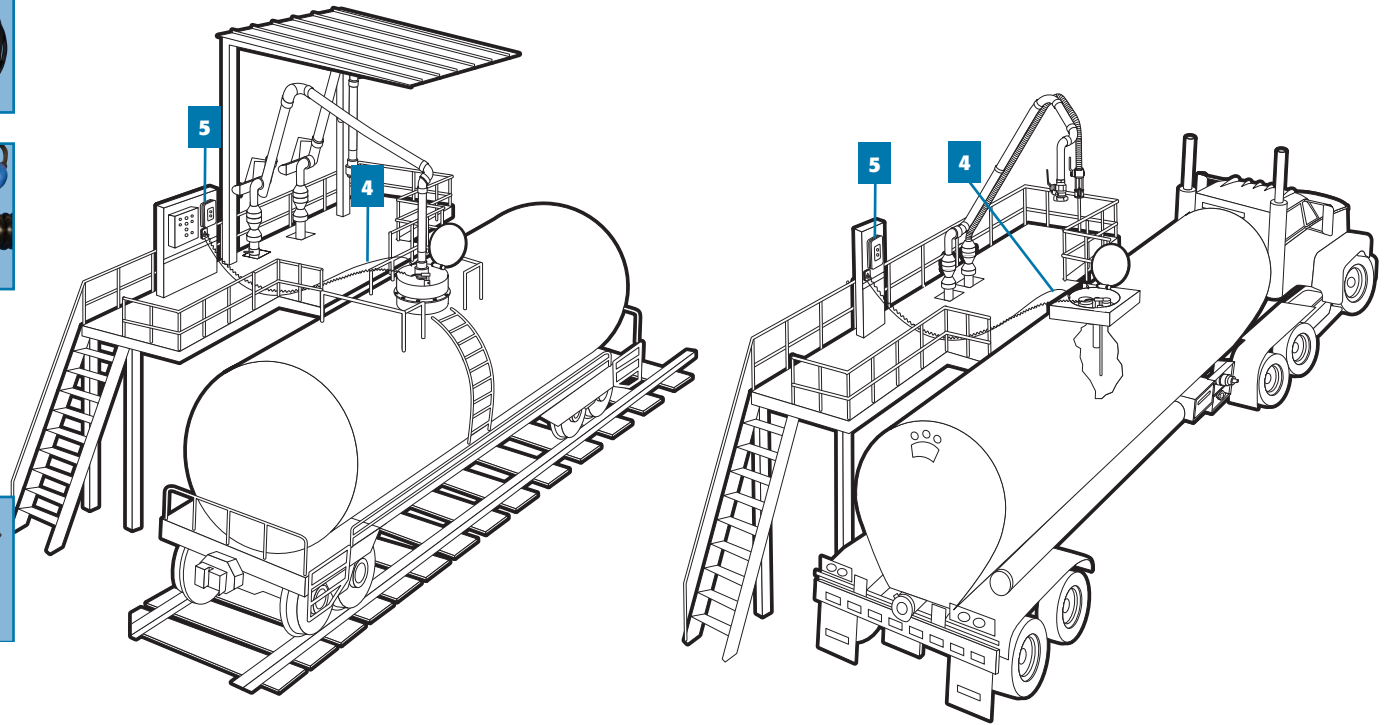
7540-7540



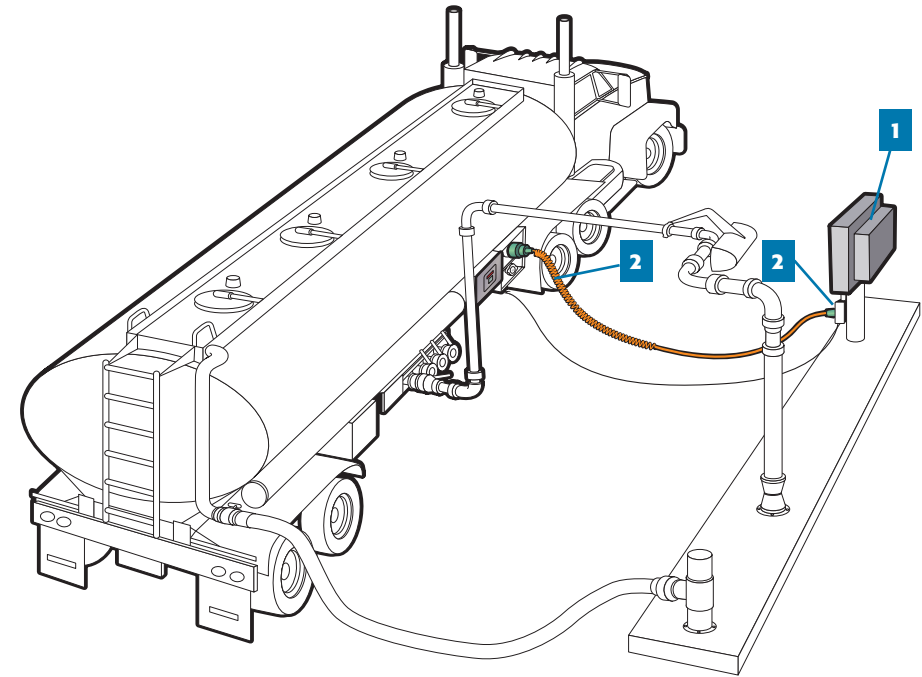
7540-8x30



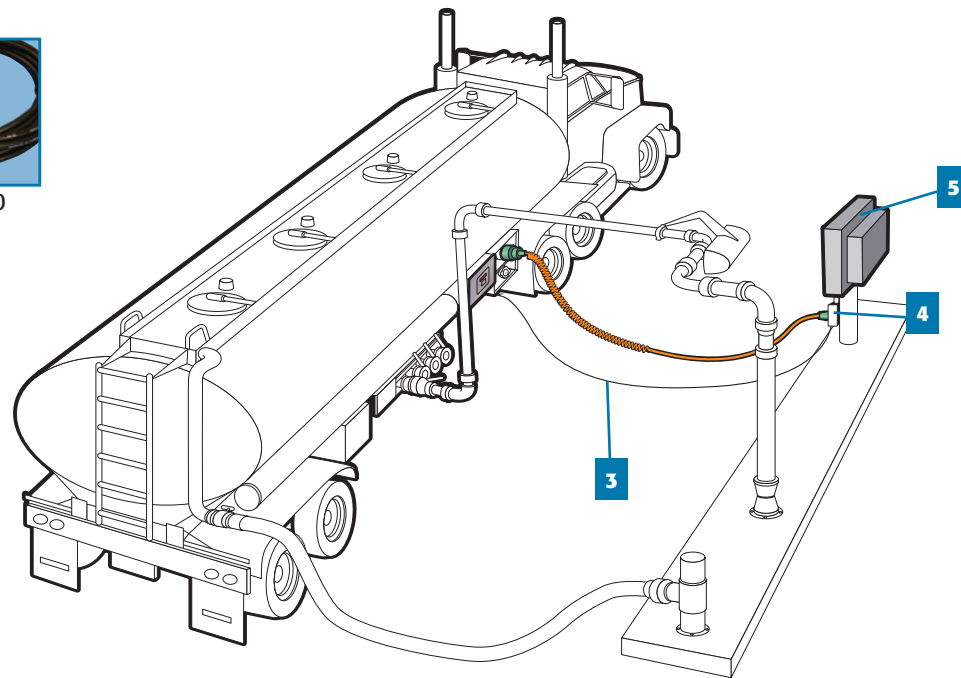
	PRODUCT	PRODUCT #	DESCRIPTION
1	RACK MONITOR	8130-120	Optic Rack Monitor with Ground Verification, Red/Green Indicator Lights. Available in 120 or 240 Volt
2	CANE PROBE (select 1)	1300HS-3062	Optic Cane Probe (Aluminum) 62" standard length with universal clamp, 30' coiled cord and 7-pin plug
		1300KMLS-3062	Optic Cane Probe (Aluminum) 62" standard length with Kamlok Coupler, 30' coiled cord and 7-pin plug
		1400RHS-3060	Optic Cane Probe (Stainless Steel) 60" standard length with universal clamp, 30' coiled cord and 7-pin plug
		1400RKMLS-3060	Optic Cane Probe (Stainless Steel) 60" standard length with Kamlok Coupler, 30' coiled cord and 7-pin plug
3	JUNCTION BOX	7500-7500	Junction Box for Optic, Thermistor, and Ground Verification Plug and Cord Sets (Non-Breakaway)
		7540-7540	Junction Box with 7-pin socket for Cane Probes or Breakaway Optic Plug & Cord Set
		7540-8X30	Junction Box with 7-pin socket for Breakaway Optic Plug and Cord Set. Includes bypass connection for 8130 Optic Rack Monitor (Does not include BCU-2)



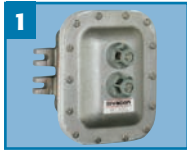
	PRODUCT	PRODUCT #	DESCRIPTION
4	GROUNDING CABLE & CLAMP	7720-7720	Ground Verification Clamp with 40' straight cord
		7720-COIL	Ground Verification Clamp with 30' coiled cord
		7790-7790	Ground Verification Clamp with 40' straight cord and 7500-7500 Junction Box
		7790-COIL	Ground Verification Clamp with 30' coiled cord and 7500-7500 Junction Box
		7620-7620	Ground Verification Plug & Cord Set for dual ball application with 30' straight cord
		7620-COIL	Ground Verification Plug & Cord Set for dual ball application with 30' coiled cord
		7690-7690	Ground Verification Plug & Cord Set for dual ball application with 30' straight cord and 7500-7500 Junction Box
		7690-COIL	Ground Verification Plug & Cord Set for dual ball application with 30' coiled cord and 7500-7500 Junction Box
5	OPTION: BYPASS	8150-120	8130-120 Optic Rack Monitor with Ground Verification, Red/Green Indicator Lights. Includes 7560-7560 Junction Box and one (BCU-2) Bypass Control Unit
		7560-7560	Junction Box with bypass connection for 8150 Optic Rack Monitor (Does not include BCU-2 Bypass Control Unit)
		BCU-2	Bypass Control Unit for 8150 Optic Rack Monitor (7560-7560 or 7540-8x30 Junction Box required)



	PRODUCT	PRODUCT #	DESCRIPTION
1	RACK MONITOR	8460-8460	Opti/Therm Rack Monitor with Ground Verification, 6 Channel and Key Bypass - (US Only)
		8580C (Canada)	Opti/Therm Rack Monitor with Ground Verification, 8 Channel, LED Display and Bypass - (Canada Only)
2	PLUG & CORD SETS (select thermistor or optic)	7100-7100	Optic Plug with 30' 10-conductor coiled cord
		7120-7120	Optic Plug with 30' 10-conductor coiled cord and 7-pin breakaway plug
		7100SR-7100	Optic Plug with 30' 6-conductor blue coiled cord for Scully replacement
		7120SR-7120	Optic Plug with 30' 6-conductor blue coiled cord for Scully replacement and 7-pin breakaway plug
		7190S-0020	7100-7100 Optic Plug with 30' coiled cord and 7500-7500 Junction Box
		7191S-0020	7120-7120 Optic Breakaway Plug with 30' coiled cord and 7540-7540 breakaway Junction Box
		7191SR-7191	7120SR-7120 Optic Breakaway Plug with 30' 6-conductor blue coiled cord for Scully replacement, 7-pin breakaway plug and 7540-7540 Junction Box
		7300-7300	Thermistor Plug with 30' 10-conductor coiled cord
		7300C-7300	Thermistor Plug with 30' 10-conductor coiled cord (Canada only)
		7320-7320	Thermistor Plug with 30' 10-conductor coiled cord and 13-pin breakaway plug
		7300SR-7300	Thermistor Plug with 30' 10-conductor coiled cord for Scully replacement
		7320SR-7320	Thermistor Plug with 30' 10-conductor coiled cord for Scully replacement and 13-pin breakaway plug
		7390S-0020	7300-7300 Thermistor Plug with 30' 10-conductor coiled cord and 7500-7500 Junction Box
		7391S-0020	7320-7320 Thermistor Breakaway Plug with 30' 10 conductor coiled cord, 13-pin breakaway plug and 7510T-7510 Junction Box
		7391SR-7391	7320SR-7320 Thermistor Breakaway Plug with 30' 10-conductor coiled cord for Scully replacement, 13-pin breakaway plug and 7510T-7510 Junction Box



	PRODUCT	PRODUCT #	DESCRIPTION
3	GROUNDING CABLES & CLAMP	7720-7720	Ground Verification Clamp with 40' straight cord
		7720-COIL	Ground Verification Clamp with 30' coiled cord
		7790-7790	Ground Verification Clamp with 40' straight cord and 7500-7500 Junction Box
		7790-COIL	Ground Verification Clamp with 30' coiled cord and 7500-7500 Junction Box
		7620-7620	Ground Verification Plug & Cord Set for dual ball application with 30' straight cord
		7620-COIL	Ground Verification Plug & Cord Set for dual ball application with 30' coiled cord
		7690-7690	Ground Verification Plug & Cord Set for dual ball application with 30' straight cord and 7500-7500 Junction Box
		7690-COIL	Ground Verification Plug & Cord Set for dual ball application with 30' coiled cord and 7500-7500 Junction Box
4	JUNCTION BOX	7500-7500	Junction Box for Optic, Thermistor, and Ground Verification Plug and Cord Sets (Non-Breakaway)
		7540-7540	Junction Box with 7-pin socket for Cane Probes or Breakaway Optic Plug & Cord Set
		7510T-7510	Junction Box with 13-pin socket for breakaway Thermistor Plug and Cord Set
5	OPTIONS:	8580	Opti/Therm Rack Monitor with Ground Verification, 6 Channel, LED Display and Bypass -(US Only)
		7150-7150	Optic Plug Hanger
		7350-7350	Thermistor Plug Hanger
		1386-1386	Opti/Therm Rack Monitor Tester



8130-120



7100-7100



7120-7120



7100SR-7100



7120SR-7120



7190S-0020



7191S-0020



7191SR-7191



7720-7720



7720-COIL



7790-7790



7790-COIL



7620-7620



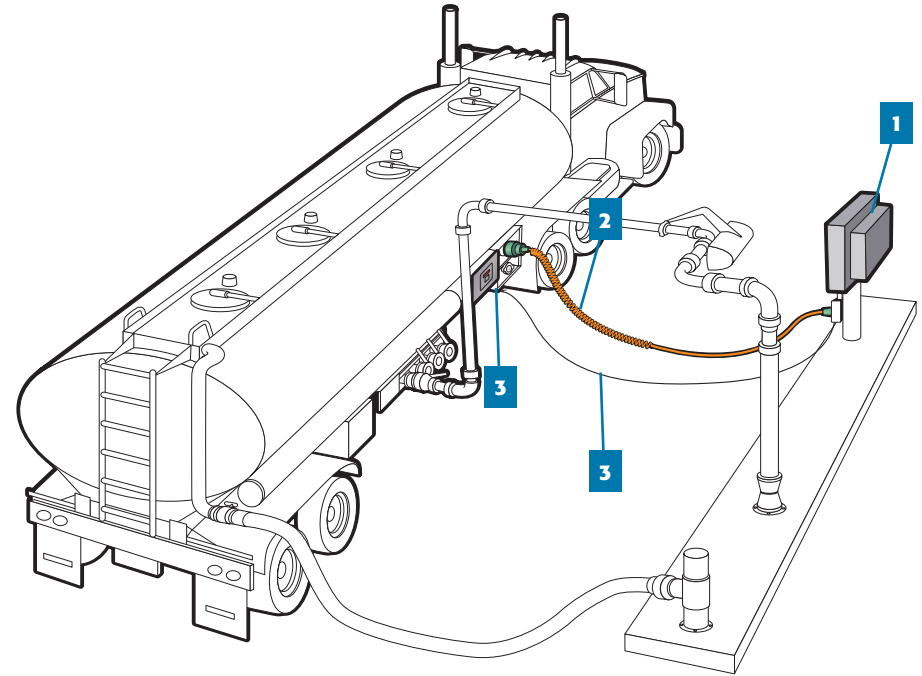
7620-COIL



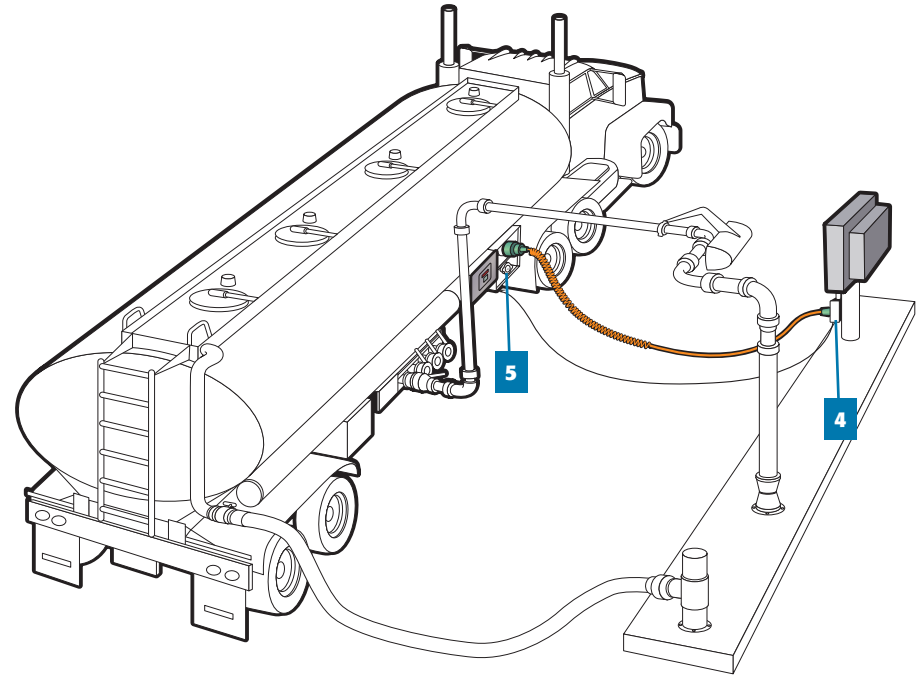
7690-7690



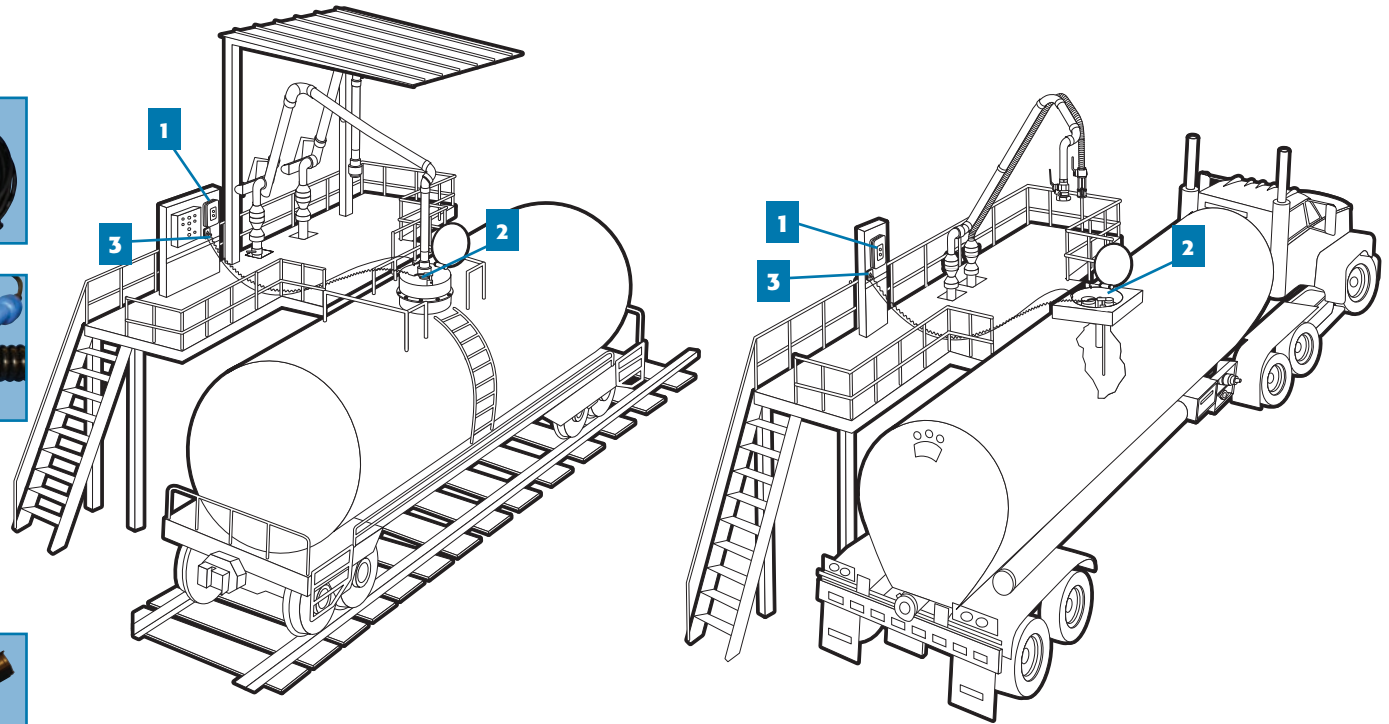
7690-COIL



	PRODUCT	PRODUCT #	DESCRIPTION
1	RACK MONITOR	8130-120	Optic Rack Monitor with Ground Verification, Red/Green Indicator Lights. Available in 120 or 240 Volt
2	OPTIC PLUG	7100-7100	Optic Plug with 30' 10-conductor coiled cord
		7120-7120	Optic Plug with 30' 10-conductor coiled cord and 7-pin breakaway plug
		7100SR-7100	Optic Plug with 30' 6-conductor blue coiled cord for Scully replacement
		7120SR-7120	Optic Plug with 30' 6-conductor blue coiled cord for Scully replacement and 7-pin breakaway plug
		7190S-0020	7100-7100 Optic Plug with 30' coiled cord and 7500-7500 Junction Box
		7191S-0020	7120-7120 Optic Breakaway Plug with 30' coiled cord and 7540-7540 breakaway Junction Box
3	GROUNDING CABLE & CLAMP	7191SR-7191	7120SR-7120 Optic Breakaway Plug with 30' 6-conductor blue coiled cord for Scully replacement, 7-pin breakaway plug and 7540-7540 Junction Box
		7720-7720	Ground Verification Clamp with 40' straight cord
		7720-COIL	Ground Verification Clamp with 30' coiled cord
		7790-7790	Ground Verification Clamp with 40' straight cord and 7500-7500 Junction Box
		7790-COIL	Ground Verification Clamp with 30' coiled cord and 7500-7500 Junction Box
		7620-7620	Ground Verification Plug & Cord Set for dual ball application with 30' straight cord
		7620-COIL	Ground Verification Plug & Cord Set for dual ball application with 30' coiled cord
		7690-7690	Ground Verification Plug & Cord Set for dual ball application with 30' straight cord and 7500-7500 Junction Box
7690-COIL	Ground Verification Plug & Cord Set for dual ball application with 30' coiled cord and 7500-7500 Junction Box		



	PRODUCT	PRODUCT #	DESCRIPTION
4	JUNCTION BOX	7500-7500	Junction Box for Optic, Thermistor, and Ground Verification Plug and Cord Sets (Non-Breakaway)
		7540-7540	Junction Box with 7-pin socket for Cane Probes or Breakaway Optic Plug & Cord Set
		7540-8X30	Junction Box with 7-pin socket for Breakaway Optic Plug and Cord Set. Includes bypass connection for 8130 Optic Rack Monitor (Does not include BCU-2)
5	OPTIONS:	8150-120	8130-120 Optic Rack Monitor with Ground Verification, Red/Green Indicator Lights. Includes 7560-7560 Junction Box and one BCU-2 Bypass Control Unit
		7150-7150	Optic Plug Hanger
		7560-7560	Junction Box with bypass connection for 8150 Optic Rack Monitor (Does not include BCU-2 Bypass Control Unit)
		BCU-2	Bypass Control Unit for 8150 Optic Rack Monitor (7560-7560 or 7540-8x30 Junction Box required)
		1386-1386	Opti/Therm Rack Monitor Tester



	PRODUCT	PRODUCT #	DESCRIPTION
1	GROUND MONITOR	8030-120	Ground Monitor, with Red/Green Status Lights Available in 120 or 240 Volt
2	GROUNDING CABLE & CLAMP	7720-7720	Ground Verification Clamp with 40' straight cord
		7720-COIL	Ground Verification Clamp with 30' coiled cord
		7790-7790	Ground Verification Clamp with 40' straight cord and 7500-7500 Junction Box
		7790-COIL	Ground Verification Clamp with 30' coiled cord and 7500-7500 Junction Box
		7620-7620	Ground Verification Plug & Cord Set for dual ball application with 30' straight cord
		7620-COIL	Ground Verification Plug & Cord Set for dual ball application with 30' coiled cord
		7690-7690	Ground Verification Plug & Cord Set for dual ball application with 30' straight cord and 7500-7500 Junction Box
		7690-COIL	Ground Verification Plug & Cord Set for dual ball application with 30' coiled cord and 7500-7500 Junction Box
3	JUNCTION BOX	7500-7500	Junction Box for Optic, Thermistor, and Ground Verification Plug and Cord Sets (Non-Breakaway)
4	OPTIONS:	7560-7560	Junction Box with bypass connection for 8150 Optic Rack Monitor (Does not include BCU-2 Bypass Control Unit)
		BCU-2	Bypass Control Unit for 8150 Optic Rack Monitor (7560-7560 or 7540-8x30 Junction Box required)